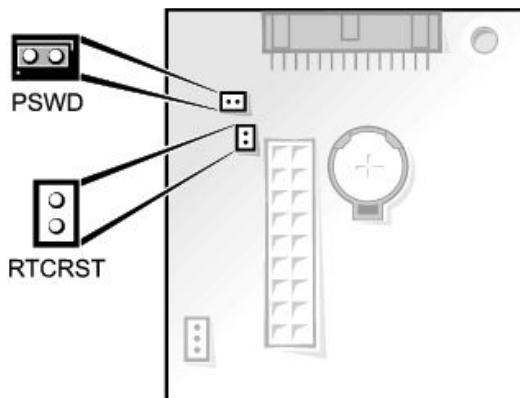
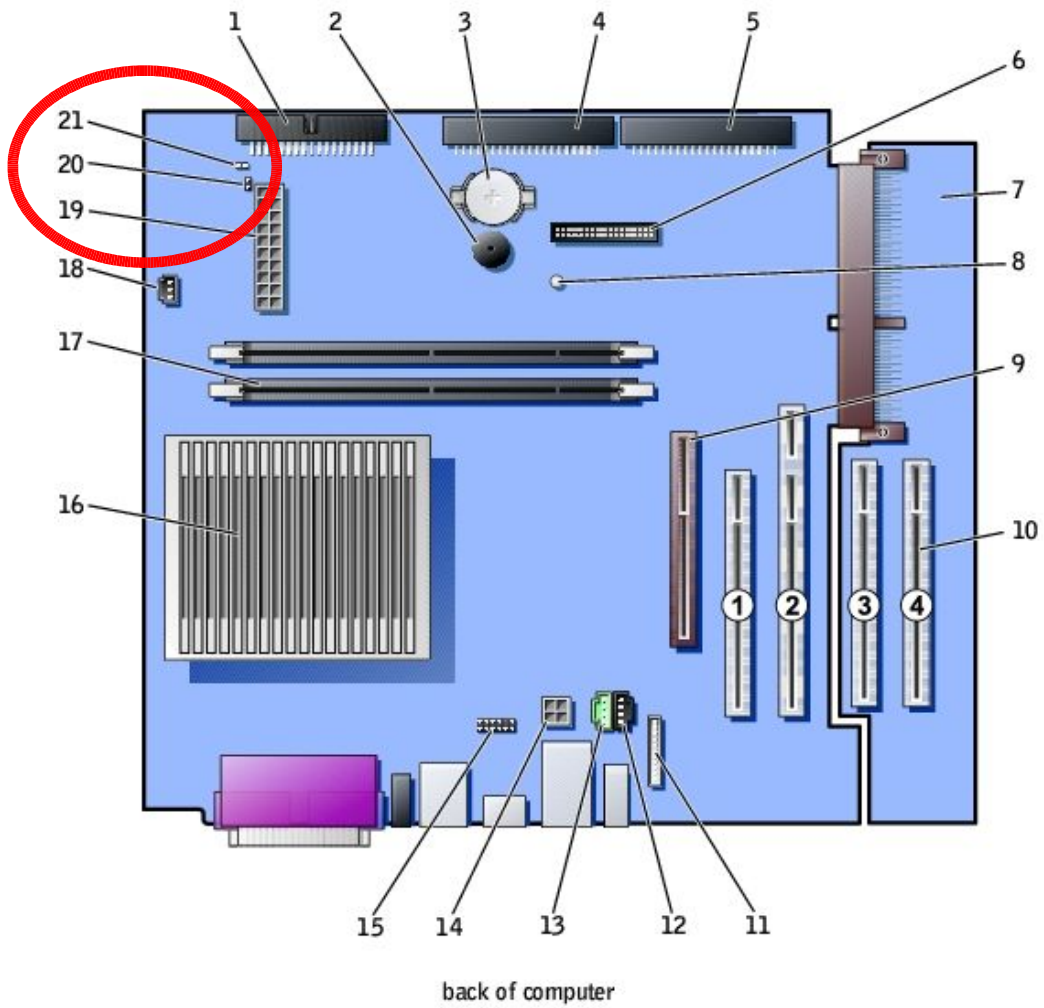






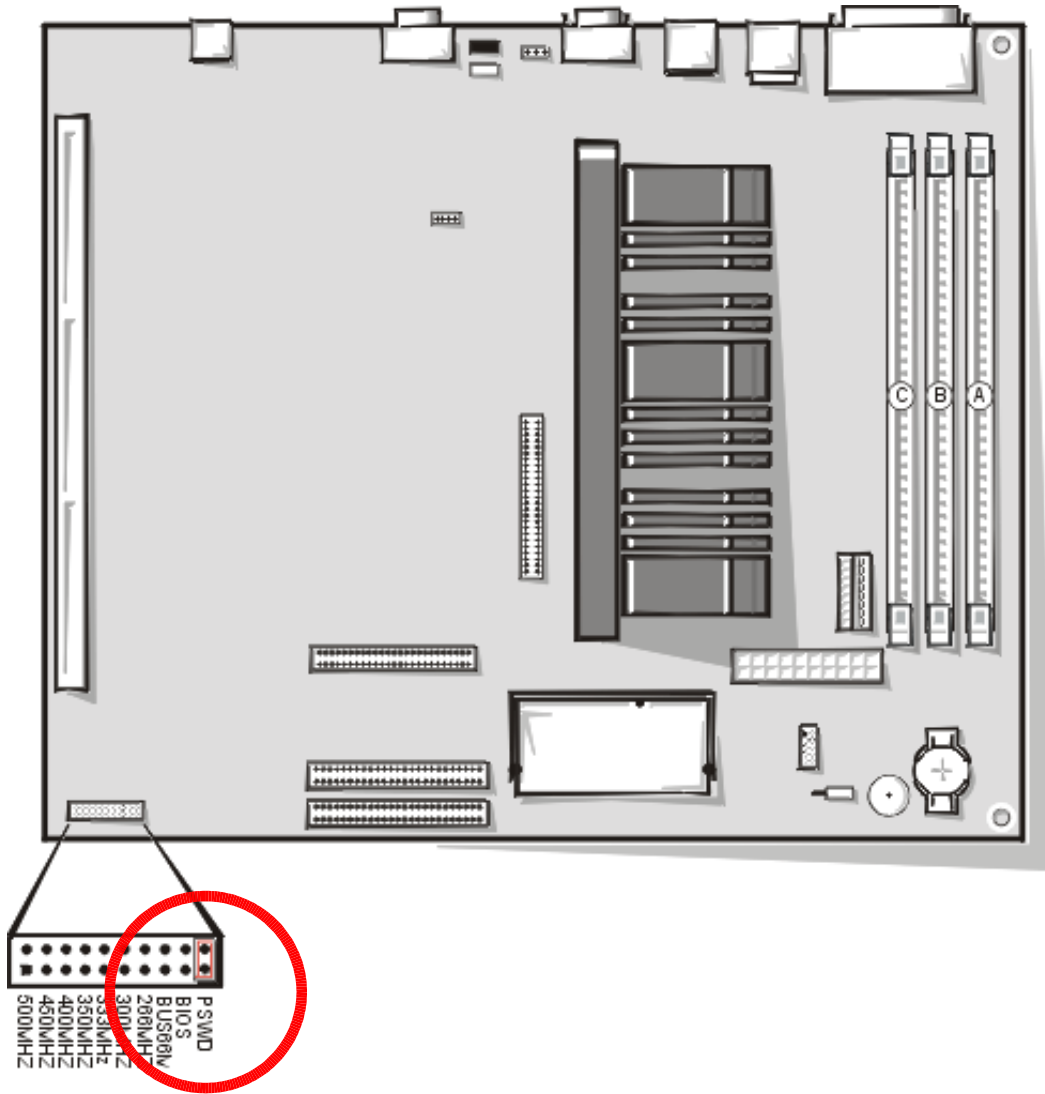
Dell OptiPlex GX260 Password Jumper





21 - password jumper



Jumper	Setting	Description
PSWD (green jumper)	 (default)	Password features are enabled
		Password features are disabled
 jumpered  unjumpered		

Dell OptiPlex GX1 password jumper



 = jumpered

 = unjumpered

PSWD	 (default)	The password features are enabled
		The password features are disabled.